

**PTEX**™ TRUE VISION



# Data Sheet 45X Red Tail Digital Spotting Scope

## OPTICAL

|               |                                    |
|---------------|------------------------------------|
| FOCAL LENGTH  | 300MM f6.3*                        |
| MAGNIFICATION | 45X PLUS DIGITAL ZOOM              |
| FIELD OF VIEW | 56 FT AT 1000 YARDS, (1.1 DEGREES) |
| FOCUS RANGE   | 3 FT TO INFINITY                   |
| RESOLUTION    | 5 ARC SECONDS                      |

## SENSOR

|                       |                   |
|-----------------------|-------------------|
| TYPE                  | COLOR CMOS        |
| MAXIMUM PIXEL DENSITY | 2592 X 1955 (5MP) |
| DYNAMIC RANGE         | 70.1 db           |
| SPECTRAL RANGE        | 380-650 nm        |
| SIGNAL TO NOISE RATIO | 38.1 db           |

## PHYSICAL

|                                    |               |
|------------------------------------|---------------|
| MAX DIAMETER                       | 2.55" (lens)  |
| LENGTH                             | 5.4"          |
| MAX HEIGHT (MOUNT TO ANTENNA JACK) | 3.23"         |
| WEIGHT                             | 19.2 OZ       |
| MOUNT                              | 1/4-20 THREAD |

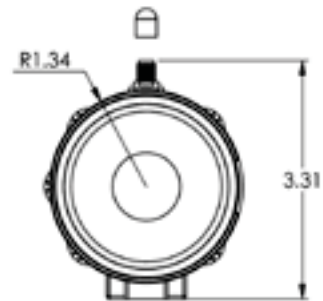


## WIRELESS CHARACTERISTICS

|                                 |                                        |
|---------------------------------|----------------------------------------|
| DISPLAY OPTIONS (USER PROVIDED) | ANY DEVICE USING iOS OR ANDROID SYSTEM |
| RANGE (UNOBSTRUCTED)            | 100 FT MINIMUM                         |
| PROTOCOL                        | 802.11 b/g/n                           |

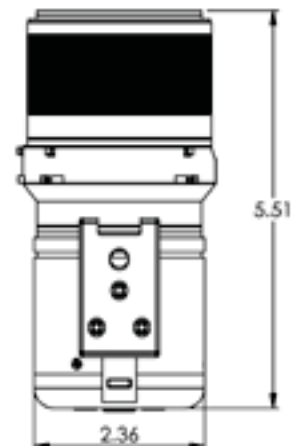
## VIDEO PROCESSING

|                        |                            |
|------------------------|----------------------------|
| SCAN MODE              | PROGRESSIVE                |
| A/D CONVERTER          | 12-bit, 8-Bit R.G.B. to PC |
| FRAME RATE VS          | 5 fps @ 2592 X 1944        |
| SELECTABLE RESOLUTIONS | 20 fps @ 1280 x 720        |
|                        | 20 fps @ 1280 X 960        |
|                        | 30 fps @ 1024 x 768        |
|                        | 30 fps @ 800 x 600         |
|                        | 30 fps @ 640 x 480         |
| DIGITAL ZOOM           | 4 X MAX*                   |



## ELECTRICAL

|                                |                               |
|--------------------------------|-------------------------------|
| VOLTAGE THROUGH USB            | 5.0 V                         |
| MAX CHARGING CURRENT           | 400 MA                        |
| WIFI MODE OPERATING CURRENT*** | 500 MA                        |
| USB MODE OPERATING CURRENT***  | 30 MA                         |
| OFF CURRENT***                 | 5 MA                          |
| BATTERY                        | Rechargeable Lithium 1900mAh, |
| RUN TIME ON FULL CHARGE        | 3+ HOURS                      |
| CONNECTORS                     | 1 MINI USB                    |
| CHARGING SOURCES               | AC ADAPTER OR ANY USB SOURCE  |



## ENVIRONMENTAL PARAMETERS (NON-CONDENSING)

|                        |                            |
|------------------------|----------------------------|
| OPERATING TEMPERATURES | -10 TO +50 C (14 TO 122 F) |
| HUMIDITY RANGE         | 5-95%                      |

\* EQUIVALENT TO 600MM IN A 35MM FILM FORMAT  
 \*\*LESS ZOOM IS AVAILABLE AT LOWER SELECTED RESOLUTIONS  
 \*\*\*WHEN FULLY CHARGED.  
 ADD CHARGING CURRENT WHEN NOT FULLY CHARGED